

neptune™
toilet lift

mountway
solo™
toilet lift

GB	Operating instructions	pg 2
US	Operating instructions	pg 19
F	Consignes d'utilisation	p 35
D	Betriebsanleitung	S 51
E	Instrucciones de uso	pag 67
I	Istruzioni operative	pag 83
NL	Bedieningsinstructies	pag 99

Operating instructions

Please ensure both yourself and any helpers read the following instructions carefully before using your toilet lift. These operating instructions should be retained for future reference.

This toilet lift is designed and manufactured to assist individuals in getting on and off the toilet. It should not be used for any other purpose. Do not use it in combination with other lifting or moving devices.

Contents

Unpacking the toilet lift

1. Unpacking the toilet lift	3
------------------------------------	----------

Installing the toilet lift

2. Charging the battery pack	4
3. Fitting the arms (where applicable)	5
4. Fitting foot cups and anti-slip pads	6
5. Installing over the toilet	7
6. Permanently attaching foot cups to the floor (where applicable)	8

Using the toilet lift

7. Using the toilet lift	8
--------------------------------	----------

Warranties maintenance & servicing

8. Cleaning	9
9. Maintenance and servicing	9
10. Warranty	10

Symbols

11. Symbols	10
-------------------	-----------

Technical data

12. Technical data	11
13. Dimensions	13

Troubleshooting

14. Troubleshooting	14
---------------------------	-----------

Parts list

15. Accessories	17
16. Parts list	18

Diagrams for operation and explanation of use are on the fold-out diagram sheet attached to the rear of this booklet

1. Unpacking the toilet lift

For ease of handling, unpack your toilet lift (**see fig 1**) in a large area. Open the packaging and ensure the toilet lift is not damaged and that all parts are included. If it has been damaged in transit or parts are missing, contact your supplier immediately.

Inside the box you will find:

- A toilet lift complete with seat
- 2 battery packs
- A battery charger with charging dock
- 4 foot cups and 4 adhesive anti-slip pads
- Hand control (for models with no arms or no operating switch on arm)

If ordered:

- Right/Left hand arm(s)
- Arm with operating switch
- Allen key for fitting arm(s)

NOTE:

All references in these operating instructions to LEFT and RIGHT are made from the perspective of the user sitting on the toilet lift. Users or carers operating the toilet lift whilst standing facing the product should therefore adopt the opposite perspective.

2. Charging the battery pack

Before first operation of your toilet lift or after long periods of non-use (typically 7-10 days), fully charge the battery packs as follows. A flat battery will take approximately 5 hours to charge.

- i) Place the charging dock (**see fig 2**) on a firm, flat surface near a mains socket outside the bathroom.
- ii) Place the battery pack on top of the charging dock, ensuring the socket underneath the battery pack (**see fig 2**) locates fully over the charging dock.
- iii) Plug the charger into the mains socket and switch on the electricity supply.
- iv) The light indicator on the charger box will initially flash in a quick sequence of red, green, red, green, before a constant red light appears to indicate charging is in progress (**see fig 2**).
- v) When the battery pack has been fully charged, the red light on the charger box turns to a constant green light, which indicates the battery pack is ready for use, and can remain continuously on charge until you are ready to use the toilet lift.
- vi) When you are ready to use the fully charged battery pack, switch off the mains socket or remove the charger from the mains socket, **then ensure you disconnect the battery pack from the charging dock.** (This prevents the battery pack discharging and resets the charger ready for charging the other battery pack).
- vii) Repeat steps **i) to vi)** to fully charge the other battery pack. We recommend continuously charging the battery pack that is not in use whilst using the other, and swapping over on a routine basis. There is no risk of overcharging.

NOTE:

- The red light on the battery pack (**see fig 3**) NEVER illuminates when connected to the charger.
- Do not cover the battery pack or the charger whilst charging.
- Always charge on a hard surface.
- During charging, the temperature of the charger box may exceed 40°C but will gradually decrease once the constant green light on the box appears. Users with sensitive/damaged skin should take care and allow approximately 6 hours from start of charging before handling the box.
- Never charge in the bathroom or any humid area. Always charge in a dry area, ensuring your hands are dry first.
- Use only the Mountway charger supplied to charge the battery packs and for no other purpose.

3. Fitting the arms (where applicable)

To fit the arms to the toilet lift, it is recommended that the toilet lift's seat be fully raised first, as this provides better access to the fixtures underneath the seat. To raise the seat, follow steps **i)** and **ii)** below:

- i) Plug the cable on the arm with operating switch into the socket located on the lower left side of the toilet lift (**see fig 4**). If you have no arm with operating switch, connect the hand control cable to the socket instead.
- ii) Insert a fully charged battery pack into the left-hand battery compartment at the front of the toilet lift (**see fig 5**), then move the toggle switch on the arm to the LEFT (**see fig 6**) (or press the UP button on the hand control, if applicable (**see fig 14**)), until the seat is fully raised.
- iii) Remove the battery pack.
- iv) Slide the rubber seals on the lifting struts down, then use the Allen key supplied to remove the screws and arm clamps attached underneath the seat at both sides (**see fig 7**).
- v) Push the arm bar into the hole located at the side of the toilet lift seat (**see fig 8**). Some pressure may be required.
- vi) Align the arm bar with the underside of the seat (**see fig 9**), and slot the arm clamp into place over it. The arm clamp should now be flush with the seat. Use the Allen key to reattach the clamp and screws and secure the arm (**see fig 10**). Slide the rubber seal back up to its original location on the lifting strut. If a further arm is supplied, repeat steps **v)** to **vi)** while the seat is in its highest position.
- vii) Reinsert the battery pack into the battery compartment (**see fig 5**).
- viii) Move the toggle switch on the arm to the RIGHT (**see fig 6**) (or press the DOWN button on the hand control, if applicable), until the seat is fully lowered again.
- ix) Now remove the battery pack.

NOTE:

- Standard operating switch is on the left arm. Right arm with operating switch is supplied by **special order**.
- The arms are designed as a support during raising and lowering and **NOT** as a lifting mechanism themselves. **Excessive force should not be applied to the arms.**
Do **NOT** move the toilet lift by its arms.

4. Fitting foot cups and anti-slip pads

Your toilet lift is supplied with 4 foot cups and 4 adhesive anti-slip pads. When fitted, the anti-slip pads provide extra stability especially on smooth flooring e.g. tiled or laminated.

- i) Remove the backing paper on the pads and secure centrally to the flat underside of each foot cup.
- ii) Align each foot cup under the toilet lift's feet and twist clockwise (**see fig 11**) to lock the foot cups to the feet. **This should be done before placing the toilet lift over the toilet bowl.**

NOTE:

- If the foot cups are to be permanently fixed to the floor to secure the toilet lift (see section 6, "Permanently attaching foot cups to the floor"), we recommend that anti-slip pads are fitted **FIRST**, to prevent rotation. However, they should **NOT** be fitted if using an adhesive to permanently attach foot cups to the floor.
- Do **NOT** permanently attach the foot cups to the floor until you have determined the correct positioning of the toilet lift over the toilet (see section 5 below, "Installing over the toilet").

5. Installing over the toilet

Ensure the battery pack is not connected to the toilet lift during installation.

- i) Remove the existing toilet seat and ensure that all floor areas are clean and dry to eliminate any slipping hazard. Ensure the floor surface is sound and solid, e.g. no broken boards or tiles.

NOTE:

Before moving the toilet lift, ensure the hand control is not trailing on the floor, as it may become a tripping hazard or become accidentally damaged.

- ii) Place the toilet lift centrally over the toilet bowl, ensuring the seat skirting (**see fig 12**) is positioned inside the toilet bowl. Also ensure the rear cross bar (**see fig 12**) is not touching the toilet porcelain and that all four feet are on the floor. If the toilet lift is sliding on the toilet porcelain, the feet are not in full contact with the floor and/or there is not enough clearance between the toilet and the rear cross bar. There should also be a minimum of 25mm/1 inch clearance between the toilet bowl and the underside of the toilet lift seat. If you need to adjust the height of the toilet lift to clear the toilet porcelain, turn the feet anti-clockwise to raise or clockwise to lower. If you meet resistance whilst raising, you will have reached the maximum height setting. Turning beyond this point may detach the feet from the toilet lift. If additional height is required, contact your supplier for advice on the suitability of optional Extended feet (see section 15, "Accessories").
- iii) Insert one of the fully charged battery packs into the left-hand battery compartment at the front of the toilet lift (**see fig 5**). Operate the controls on the hand control (or arm) to test that no fixtures (e.g. washbasins, bidet) will obstruct the raising and lowering of the toilet lift.

NOTE:

The toilet lift is a powerful lifting device and it is essential that **NO** obstructions become caught during the raising and lowering of the seat. If the arms or seat are caught, **IMMEDIATELY** stop the operation and lower or raise the seat to free the obstruction. Either permanently remove one or both arms or remove the external obstruction e.g. toilet roll holder or rail.

- iv) Remove the battery pack from the toilet lift.

NOTE:

- It is advisable that you or your carer periodically checks that the toilet lift is still correctly aligned over the toilet bowl to avoid entrapment risks.
- Also periodically check that there is no obvious damage to the product.

6. Permanently attaching foot cups to the floor (where applicable)

For maximum security, especially if arms are fitted to the toilet lift, it is recommended that the foot cups are permanently attached to the floor by screws or a silicone-based adhesive.

Before drilling, ensure that the area around the toilet is clear of underground pipes/heating and electrical cables.

- i) Once the foot cups have been fitted (see section 4, "Fitting foot cups and anti-slip pads") and the toilet lift is correctly positioned over the toilet (see section 5, "Installing over the toilet"), draw around the outside of each fitted foot cup, using a non-permanent marker pen.
- ii) Remove the toilet lift and detach the foot cups.
- iii) Place the foot cups back over the drawn marks, ensuring they are correctly aligned.
- iv) Either silicone, or screw foot cups to the floor (using the central hole in the foot cup).
- v) Place the toilet lift back over the toilet bowl with the feet positioned in the floor-mounted foot cups and turn the feet anti-clockwise to lock into the cups (**see fig 13**).

7. Using the toilet lift

- i) Insert the fully charged battery pack into the left-hand battery compartment at the front of the toilet lift (**see fig 5**).
- ii) The first time any button is operated on the hand control (**see fig 14**) or arm switch (as applicable) (**see fig 6**), a battery test will be initiated. On completion of the test, the appropriate light will appear on the **hand control (or arm with operating switch)** as follows: -
 - If **GREEN** light – proceed to use the toilet lift, provided the battery pack has been charged within the last 7-10 days.
 - If **FLASHING GREEN** light – proceed to use the toilet lift, provided the battery pack has been charged within the last 7-10 days. Then charge **IMMEDIATELY** afterwards (see section 2, "Charging the battery pack").
 - If **RED** light **on the battery pack (NOT hand control or arm)** – Do **NOT** use the toilet lift. Charge **IMMEDIATELY** (see section 2, "Charging the battery pack") and connect the second battery pack, if fully charged.
- iii) To raise the toilet lift seat to the height required, either press the UP button on the hand control (**see fig 14**) or move the toggle switch on the arm to the LEFT (**see fig 6**).
- iv) Gently sit on the seat.
- v) To lower the seat to a height that is comfortable, press the DOWN button on the hand control or move the toggle switch on the arm to the RIGHT (as applicable). The toilet lift can be stopped at any time to reposition yourself on the seat, by releasing the button or switch.
- vi) Press the UP button on the hand control or move the toggle switch on the arm to the LEFT to raise yourself to a standing position again.
- vii) **The toilet lift's seat should be lowered DOWN to its lowest position after EACH use.**

NOTE:

- The battery packs are for use solely with the Mountway toilet lift and cannot be used to operate any other product.
- If the **RED** light appears on the battery pack **during use**, continue to use the toilet lift but charge **IMMEDIATELY** afterwards.
- Side transfer is possible with the seat in the down position. If the toilet lift is fitted with arms, raise them upwards to allow side access.
- To prevent any accidental damage to the hand control, do **NOT** leave it to hang down freely.
- In an emergency situation, all movement can be terminated by removing the battery pack.

8. Cleaning

Clean the toilet lift as frequently as you clean your toilet, using mild, non-abrasive bathroom cleaners*. When using the toilet lift communally, we recommend disinfecting the seat after each use. SOLVENT-based cleaners, such as white spirit, should NOT be used, as this will damage the seat and cover surfaces.

- To disinfect the toilet lift, use a soft cloth and wipe down with a sterilising solution or anti-bacterial cleaner. Use the same concentration as you would for other domestic surfaces, such as basins and baths.
- Wipe over with a clean, damp cloth, then dry with a clean, dry cloth.
- The toilet lift is **NOT WATERPROOF** and **CANNOT** be cleaned in an automated washing machine. Clean by hand only. **DO NOT** place under a shower or immerse in liquids.

* Cleaning agents should be used in accordance with their manufacturers' guidelines.

9. Maintenance and servicing

There are **no** user-serviceable parts in the toilet lift. Repairs and servicing must be entrusted to a Mountway authorised dealer or engineer.

The toilet lift should be inspected annually by a Mountway authorised dealer or engineer, who will check that there are no loose fittings or any other evidence of mechanical damage. Also, the base area or floor should be inspected to ensure that it is perfectly safe to use your toilet lift.

Intended life - toilet lift

The durability of the toilet lift has been tested in accordance with BS EN 10535:2006 (Hoists for the transfer of disabled persons - requirements and test methods). If serviced and used in accordance with the operating instructions, the toilet lift and all parts (excluding battery) will achieve 11,000 lifting cycles or 5 years' use, whichever is the soonest.

Intended life - battery

It is essential that the operating instructions with regards to battery use and charging is adhered to. The battery life expectancy is 500 charge cycles or 1 year's use, whichever is the soonest. We recommend the battery be replaced accordingly in order to obtain the best performance from your toilet lift.

10. Warranty

This product is sold with the benefit that, in the event of any defect of manufacture or material appearing within 2 years of the date of the receipt of the product, the defect will be rectified free of charge, provided that:




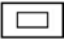

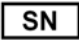




- i) Reasonable evidence is provided (e.g. purchase invoice or delivery note) that the product was purchased not more than 2 years prior to the date of claim; and
- ii) The defect is not attributable to accidental damage (either in transit or otherwise), fair wear and tear, willful damage, misuse or unauthorised repair.

The battery is guaranteed for 1 year subject to the conditions stated above.

Consumers' statutory rights are not affected.

11. Symbols

To comply with international standards for medical equipment, the following symbols are found on the toilet lift's labels.

Symbol	Explanation
	Only direct current from a small battery is used to power your toilet lift. There is NO connection to mains electricity when in use, so there is no danger of electric shock.
	The symbol is found on the hand control, arm and battery pack and means the light indicates the battery status.
	The toilet lift is categorised as Type B medical equipment and meets international standards for electrical safety.
IP44	The toilet lift is sealed to the international standard against the effects of splashing water.
	Class II equipment.
	PLEASE READ THE INSTRUCTIONS BEFORE INSTALLATION OR USE.
	Serial number
	Re-order number
	Maximum load – lifting capacity (person)
	Do not bin/dispose.
	Caution! Surface hot to touch.

12. Technical data

The toilet lift seat is made of ABS. All structural components, i.e. chassis and lifting struts are made from polypropylene. The side covers, battery covers and hand control are made of ABS. The feet are made of nylon.

The toilet lift is in the official category of 'internally powered equipment' and is not suitable for use in the presence of flammable anaesthetic mixture with air or nitrous oxide.

The equipment is tested in accordance with:

- BS EN 60335-1: 2002
- BS EN 60601-1: 2006
- The European Council Directive 93/42/EEC relating to Medical Devices

The toilet lift complies with the WEEE directive.

DISPOSAL: The plastic, metal parts and packaging are recyclable. The batteries are not recyclable and should be disposed of only by returning them to your supplier, the manufacturer or an authorised disposal point.

Toilet lift	
Overall width without arms	612mm (24.09in)
Bowl clearance width	390mm (15.35in)
Seat height (down)	430mm min (16.9in)
	490mm max (19.3in)
Depth front to back	540mm (21.26in)
Height Adjustments	
Bowl clearance height	370mm – 430mm (14.56in – 16.9in)
Feet adjustment	60mm (2.36in)
Pedestal height range	360mm – 420mm (14.2in – 16.5in)
Maximum load - lifting capacity	
	160kg/25 stone/350lbs person
Duty cycle	
	No more than one complete operation per 5 minutes
Power input	
	14.4V dc nominal 10A max
Degree of protection	
	IP44
Weight	
Toilet lift (including battery pack but no arms)	19.24kg/42.4lbs
Packing box (max)	6.91kg/15.2lbs
Total packed weight	33kg/72.8lbs

Operating and charging

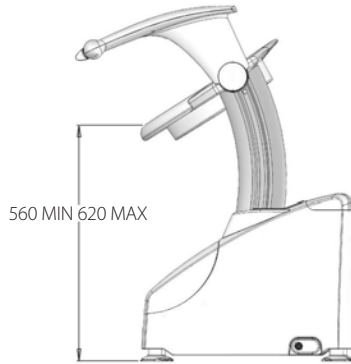
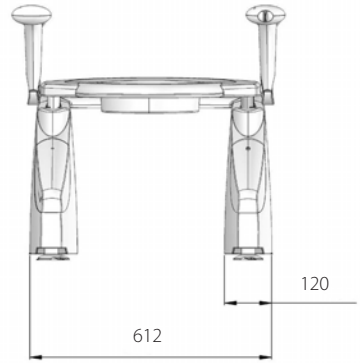
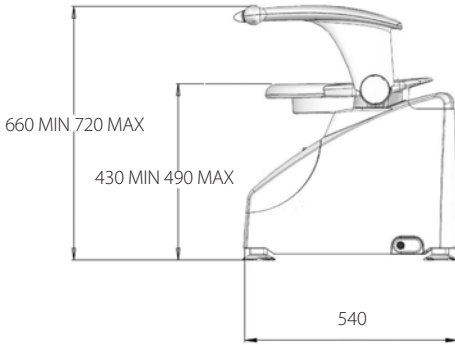
Battery Charger	
Input	100-240V ac 50-60Hz 1.0A
Output	14.4V dc nominal 1.0A
Battery Pack	
Output	14.4V dc nominal 3000mAh
Operating and Charging Temperatures	
Max	40°C (104°F)
Min	0°C (32°F)
Colour	
	White

Shipping and storage

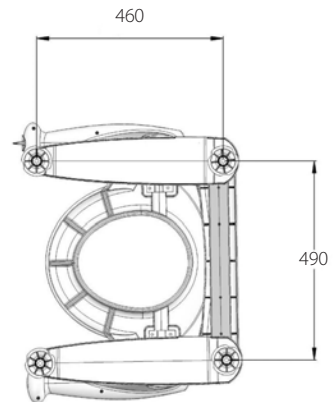
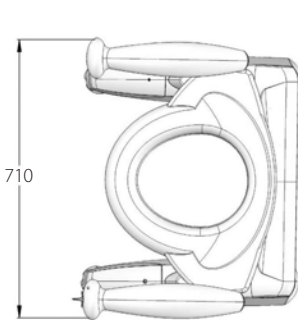
Temperatures	
Max	50°C (122°F)
Min	-10°C (14°F)
Humidity	
Max	90% RH
Min	10% RH
Pressure	
Max	125kPa (18.4psi)
Min	73kPa (10.7psi)

This product is suitable for transport in pressurised aircraft holds.

13. Dimensions (in millimetres)



The vertical dimensions vary by 60mm due to adjustable feet.



14. Troubleshooting

Symptom	Possible Cause	Solution	Section
Toilet lift does not move. No sound from the motor.	• Battery is flat.	• Charge battery pack.	Section 2
	• Battery pack is not connected/not connected properly to the toilet lift.	• Insert battery pack correctly into battery compartment at the front of the toilet lift. Apply gentle pressure to ensure it is fully in.	Section 3, Section 5 & Section 7
	• Hand control/arm cable not connected to the toilet lift.	• Connect the hand control/arm cable to the socket on the rear left side of the toilet lift.	Section 3, Section 5 & Section 7
	• Battery fault.	• Contact supplier or authorised service/repair centre. Replace battery pack.	n/a
	• Mechanical fault.	• Contact supplier or authorised service/repair centre.	n/a
Red light on battery pack is on and toilet lift does not move.	• Battery is flat.	• Charge battery pack immediately.	Section 2
Toilet lift only moves intermittently.	• Battery is not fully charged.	• Charge battery pack.	Section 2
	• Excessive user load.	• Do not use toilet lift if you weigh over 25 st/160kg/350lbs.	Section 12
	• Toilet lift has encountered obstruction during raising or lowering e.g. wash basin.	• Immediately stop operation. Raise or lower toilet lift to remove obstruction.	Section 5
Battery pack does not appear to be charged.	• Power to charger is not switched on.	• Ensure charger plug is connected to power socket and switch on. Check for light indicator on charger box.	Section 2
	• Battery pack is not connected correctly to charger.	• Ensure socket underneath battery pack is fully located over charging dock.	Section 2
	• Battery pack has discharged before use.	• Ensure battery pack is disconnected from charging dock when mains socket is switched off or when charger is removed from socket. • Charge battery pack after long periods of non-use (typically 7-10 days).	Section 2

Symptom	Possible Cause	Solution	Section
	<ul style="list-style-type: none"> • Interruption to mains power supply/faulty mains socket. 	<ul style="list-style-type: none"> • Check for charger indicator light at alternative power socket. • Check if other electrical appliances are working. 	n/a
	<ul style="list-style-type: none"> • Charger fault. 	<ul style="list-style-type: none"> • Contact supplier or authorised service/repair centre. 	n/a
	<ul style="list-style-type: none"> • Battery fault. 	<ul style="list-style-type: none"> • Contact supplier or authorised service/repair centre. 	n/a
Charger is plugged into power socket but charger indicator lights do not appear.	<ul style="list-style-type: none"> • Battery pack is not connected correctly to charger. 	<ul style="list-style-type: none"> • Ensure socket underneath battery pack is fully located over charging dock. 	Section 2
	<ul style="list-style-type: none"> • Charger fault. 	<ul style="list-style-type: none"> • Contact supplier or authorised service/repair centre. 	n/a
No lights appear on hand control/arm.	<ul style="list-style-type: none"> • Battery pack is not connected correctly to toilet lift. 	<ul style="list-style-type: none"> • Insert the battery pack correctly into the battery compartment at the front of the toilet lift. Apply gentle pressure to ensure it is fully in. 	Section 3, Section 5 & Section 7
	<ul style="list-style-type: none"> • Hand control/arm cable not connected to the toilet lift. 	<ul style="list-style-type: none"> • Connect the hand control/arm cable to the socket on the rear left side of the toilet lift. 	Section 3, Section 5 & Section 7
	<ul style="list-style-type: none"> • Charger fault. 	<ul style="list-style-type: none"> • Contact supplier or authorised service/repair centre. 	n/a
	<ul style="list-style-type: none"> • Battery fault. 	<ul style="list-style-type: none"> • Contact supplier or authorised service/repair centre. 	n/a
Toilet lift slides on floor.	<ul style="list-style-type: none"> • Feet/foot cups not secure on slippery type floor e.g. tiled, laminated. 	<ul style="list-style-type: none"> • Fit adhesive anti-slip pads on flat underside of foot cups and attach to toilet lift feet. • Ensure floor is clean and dry under feet. 	Section 4 & Section 5
Toilet lift slides on toilet bowl.	<ul style="list-style-type: none"> • Feet not touching floor and/or rear cross bar resting on toilet porcelain. 	<ul style="list-style-type: none"> • Adjust height of toilet lift until rear cross bar is clear of toilet porcelain and all 4 feet are touching floor. Contact supplier for advice on suitability of optional extended feet. 	Section 5 & Section 15

Symptom	Possible Cause	Solution	Section
Toilet lift seat is tilting sideways.	<ul style="list-style-type: none"> • Toilet seat has not been lowered to lowest position after each use, causing motor to become unsynchronised. 	<ul style="list-style-type: none"> • Contact supplier or authorised service/repair centre. 	Section 7
Arms are damaged.	<ul style="list-style-type: none"> • Toilet lift has been moved/carried by its arms. • Excessive force has been applied to arms during use. • Arms have encountered obstruction during lifting operation. 	<ul style="list-style-type: none"> • Contact supplier or authorised service/repair centre. 	Section 3 & Section 5

15. Accessories

The toilet lift can be supplied with a wide range of optional accessories:

Accessory	Part No.
Extended feet	TL 634
Supplied as a set of four, extended feet allow extra bowl clearance for higher than average toilet bowls by as much as 64mm/2.52". Must be fitted by Mountway at the time of ordering your toilet lift.	



Accessory	Part No.
Left/right hand arm	Left – TL626/ Right – TL627
When grab rails cannot be fitted, these aid transfer on and off the toilet lift and offer reassuring support when the toilet lift is in use.	



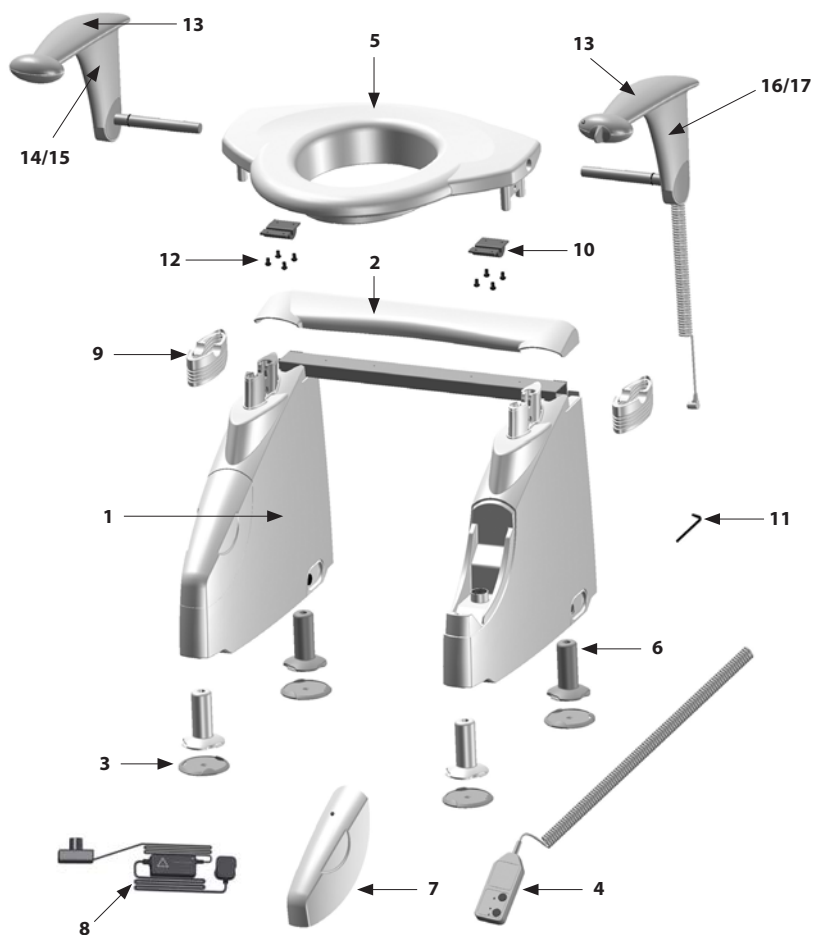
Accessory	Part No.
Left/right hand arm with operating switch	Left – TL625/ Right – TL628
Arms with integrated operating switch. As well as aiding with transfer on and off the lift and offering reassuring support when in use, the arm's easy-to-use toggle switch can be used instead of the standard hand control. A battery status monitoring system is also incorporated into the arm, indicating battery level status.	



16. Parts List

ITEM No.	Description	Part no.
1	Chassis cover moulding	TL551
2	Bridge moulding	TL571
3	Foot cup	TL554
4	Hand control	TL575
5	Seat	TL557
6	Standard foot assembly - set of 4	TL633
7	Battery pack	TL621
8	Smart charger with charging dock (UK)	CU3006

ITEM No.	Description	Part no.
9	Seal	TL556
10	Clamp	TL576
11	Allen key	TL642
12	Screw – supplied quantity 4	TL539
13	Upper arm moulding	TL588
14	Right hand arm with operating switch	TL628
15	Right hand arm	TL627
16	Left hand arm with operating switch	TL625
17	Left hand arm	TL626



Mountway Limited reserve the right to alter specifications to products or packaging at any time.



Diagram sheet



Page de schéma



Diagrammblatt



Hoja de diagramas



Foglio di diagrammi



Diagramblad

Figures/Abbildungen/Figuras/Figure/Afbeeldingen

1

- A** Left hand arm with operating switch (also available without switch)
Left hand arm with operating switch (also available without switch)
Accoudoir de gauche avec interrupteur de fonctionnement (également disponible sans interrupteur)
Linke Armlehne mit Betriebsschalter (auch ohne Schalter verfügbar)
Brazo izquierdo con interruptor de funcionamiento (también disponible sin él)
Bracciolo sinistro con interruttore di funzionamento (disponibile anche senza interruttore)
Linkerarm met bedieningsschakelaar (ook beschikbaar zonder schakelaar)

- B** Right hand arm (also available with operating switch)
Right hand arm (also available with operating switch)
Accoudoir de droite (également disponible avec interrupteur de fonctionnement)
Rechte Armlehne (auch mit Betriebsschalter verfügbar)
Brazo derecho (también disponible con interruptor de funcionamiento)
Bracciolo destro (disponibile anche con interruttore di funzionamento)
Rechterarm (ook beschikbaar met bedieningsschakelaar)

- C** Seat
Seat
Siège
Sitz
Asiento
Sedile
Zitting

- H** Hand control
Hand control
Télécommande
Handsteuerung
Control manual
Comando manuale
Handbediening

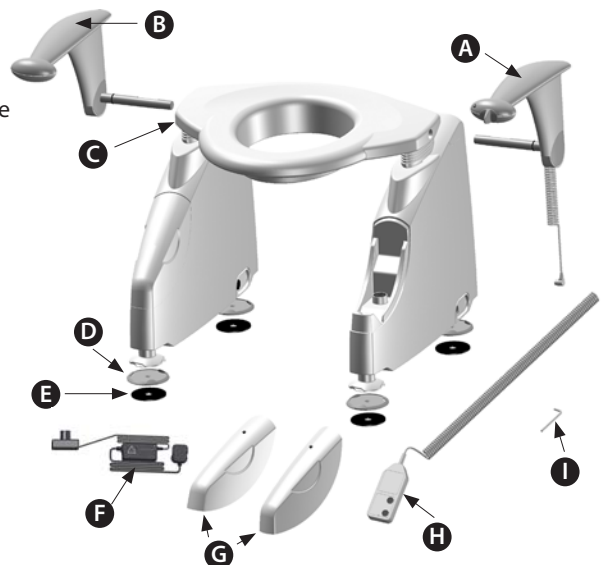
- D** Foot cup
Foot cup
Coupelle pour les pieds
Fußteller
Círculo de pie
Base di appoggio
Voetkom

- I** Allen key
Hexagonal key wrench
Clé hexagonale
Inbusschlüssel
Llave allen
Chiave a brugola
Inbussleutel

- E** Adhesive anti-slip pad
Adhesive anti-slip pad
Patin adhésif antidérapant
Haftendes rutschfestes Polster
Almohadilla adhesiva antideslizante
Supporti antiscivolo per piedini
Zelfklevende anti-slipring

- F** Battery charger
Battery charger
Chargeur de pile
Batterieladegerät
Cargador de batería
Caricabatterie
Batterijoplader

- G** Battery packs
Battery packs
Blocs-piles
Batteriepacks
Baterías
Pacchi batterie
Batterijpakketten



2

A Battery pack
Battery pack
Bloc-pile
Batteriepack
Batería
Pacco batterie
Batterijpakket

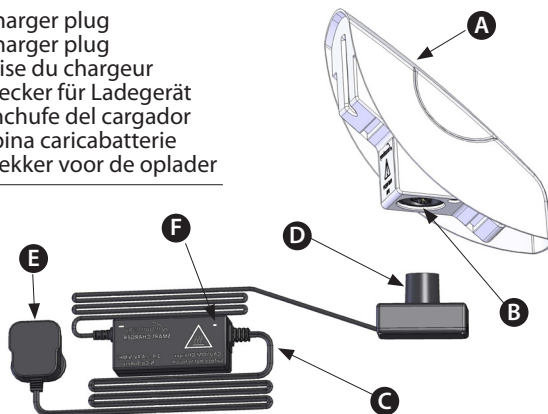
B Battery socket
Battery socket
Support de pile
Akku-Buchse
Conector de la batería
Presa della batteria
Batterijaansluiting

C Charger
Charger
Chargeur
Ladegerät
Cargador
Caricabatteria
Oplader

D Charging dock
Charging dock
Socle de chargement
Ladedock
Base
Base di ricarica
Opladstation

E Charger plug
Charger plug
Prise du chargeur
Stecker für Ladegerät
Enchufe del cargador
Spina caricabatteria
Stekker voor de oplader

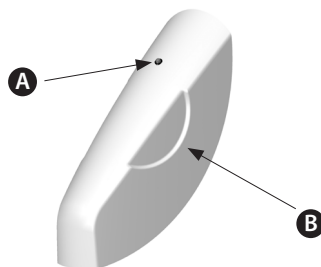
F Light indicator
Light indicator
Voyant lumineux
Leuchtanzeige
Indicador de luz
Spia luminosa
Lampje



3

A Battery red light
Battery red light
Voyant rouge de la pile
Batterie rotes Licht
Luz roja de la batería
Spia rossa batteria
Rood lampje van de batterij

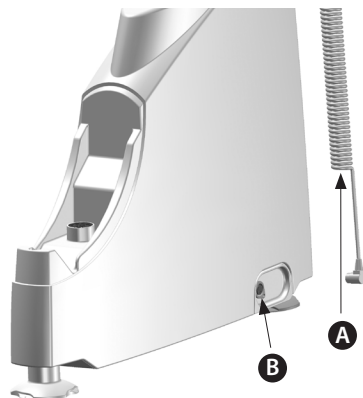
B Battery pack
Battery pack
Bloc-pile
Batteriepack
Batería
Pacco batterie
Batterijpakket



4

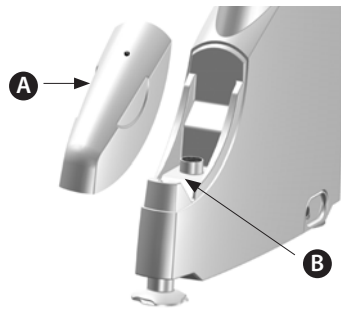
A Hand control/arm cable
Hand control/arm cable
Câble de la télécommande /de l'accoudoir
Kabel Handsteuerung/Armlehne
Cable del control manual/brazo
Cavo comando manuale / bracciolo
Handbediening/armkabel

B Hand control/arm cable socket
Hand control/arm cable socket
Connecteur du câble de la télécommande/de l'accoudoir
Handsteuerungs-/Armlehnenkabeldose
Toma del cable del control manual/brazo
Presa cavo comando manuale / bracciolo
Handbediening/armkabelaansluiting



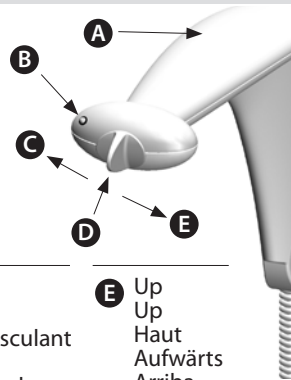
5

- | | |
|--|---|
| <p>A Battery pack
Battery pack
Bloc-pile
Batteriepack
Batería
Pacco batterie
Batterijpakket</p> | <p>B Battery compartment
Battery compartment
Compartment pour pile
Batteriefach
Compartimento de la batería
Vano batterie
Batterijcompartiment</p> |
|--|---|



6

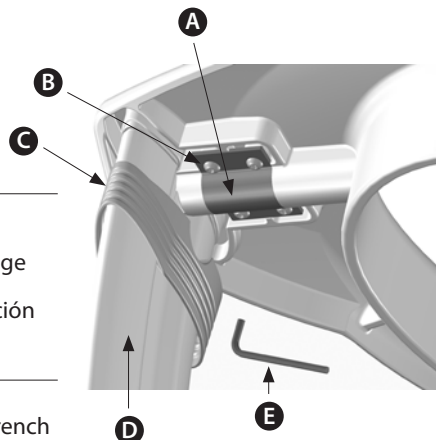
- A** Arm with operating switch
Arm with operating switch
Accoudoir avec interrupteur de fonctionnement
Armlehne mit Betriebsschalter
Brazo con interruptor de funcionamiento
Bracciolo con interruttore di funzionamento
Arm met bedieningsschakelaar



- | | | | |
|---|--|---|--|
| <p>B Power light
Power light
Voyant d'alimentation
Betriebsleuchte
Luz de funcionamiento
Spia alimentazione
Aan-/uitlampje</p> | <p>C Down
Down
Bas
Abwärts
Abajo
Giù
Omlaag</p> | <p>D Toggle switch
Toggle switch
Interrupteur basculant
Kippschalter
Interruptor de palanca
Interruttore a leva
Aan-/uitschakelaar</p> | <p>E Up
Up
Haut
Aufwärts
Arriba
Su
Omhoog</p> |
|---|--|---|--|

7

- | | |
|---|--|
| <p>A Arm clamp
Arm clamp
Pièce de serrage pour les accoudoirs
Armlehnenklemme
Sistema de fijación
Morsetto bracciolo
Armklem</p> | <p>D Lifting strut
Lifting strut
Entretoise de levage
Lifterstrebe
Soporte de elevación
Montante
Liftstijl</p> |
| <p>B Screw
Screw
Vis
Schraube
Tornillo
Vite
Schroef</p> | <p>E Allen key
Hexagonal key wrench
Clé hexagonale
Inbusschlüssel
Llave allen
Chiave a brugola
Inbussleutel</p> |
| <p>C Rubber seal
Rubber seal
Joint en caoutchouc
Gummidichtung
Sello de goma
Guarnizione in gomma
Rubberen afsluiting</p> | |



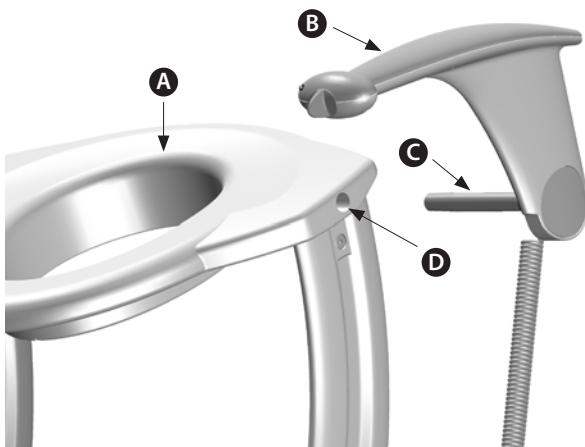
8

A Seat
Seat
Siège
Sitz
Asiento
Sedile
Zitting

B Arm
Arm
Accoudoir
Arملهنه
Brazo
Bracciolo
Arm

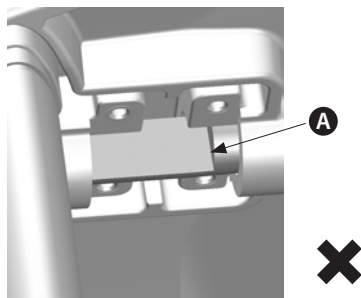
C Arm bar
Arm bar
Barre de l'accoudoir
Arملهنه-stange
Barra del brazo
Astina bracciolo
Armbalk

D Seat hole
Seat hole
Trou du siège
Sitzloch
Agujero del asiento
Foro sedile
Opening van de zitting

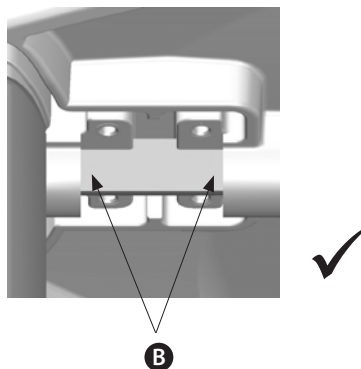


9

A Arm bar NOT correctly aligned
Arm bar NOT correctly aligned
Barre de l'accoudoir alignée INCORRECTEMENT
Arملهنه-stange NICHT korrekt ausgerichtet
Barra del brazo alineada de forma INCORRECTA
Astina bracciolo NON correttamente allineata
Arملهning NIET correct uitgelijnd



B Arm bar CORRECTLY aligned
Arm bar CORRECTLY aligned
Barre de l'accoudoir alignée CORRECTEMENT
Arملهنه-stange KORREKT ausgerichtet
Barra del brazo alineada de forma CORRECTA
Astina bracciolo CORRETTAMENTE allineata
Arملهning CORRECT uitgelijnd

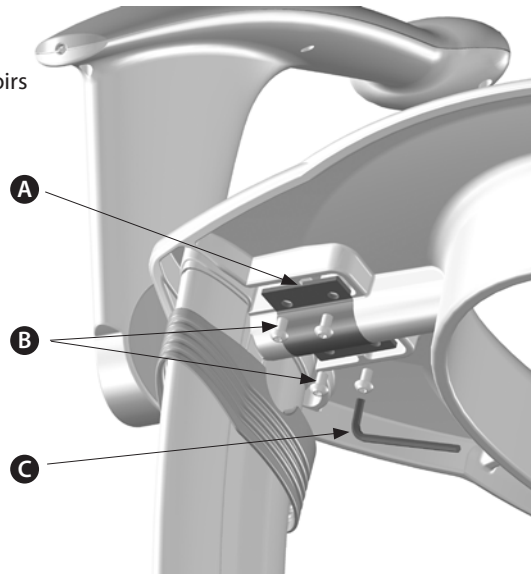


10

A Arm clamp
 Arm clamp
 Pièce de serrage pour les accoudoirs
 Armlehnenklemme
 Sistema de fijación del brazo
 Morsetto bracciolo
 Armklem

B Screws
 Screws
 Vis
 Schrauben
 Sistema de fijación del brazo
 Viti
 Schroeven

C Allen key
 Hexagonal key wrench
 Clé hexagonale
 Inbusschlüssel
 Llave allen
 Chiave a brugola
 Inbussleutel

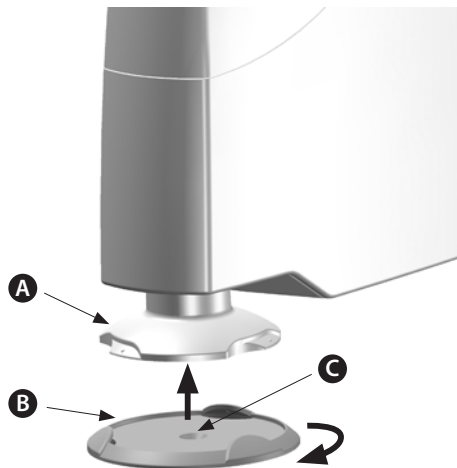


11

A Foot
 Foot
 Pied
 Fuß
 Pie
 Piedino
 Voet

B Foot cup
 Foot cup
 Coupelle pour les pieds
 Fußsteller
 Círculo del pie
 Base di appoggio
 Voetkom

C Foot cup hole
 Foot cup hole
 Trou pour la coupelle pour les pieds
 Fußstellerloch
 Agujero del círculo del pie
 Foro base di appoggio
 Voetkomopening



12

A Seat skirting
 Seat skirting
 Socle du siège
 Sitzeinfassung
 Borde del asiento
 Bordo interno
 Rand van de zitting

B Rear cross bar
 Rear cross bar
 Barre transversale arrière
 Hintere Querstange
 Barra transversal trasera
 Barra trasversale posteriore
 Achterste dwarsbalk

C Feet
 Feet
 Pieds
 Sitzeinfassung
 Pies
 Piedini
 Voeten

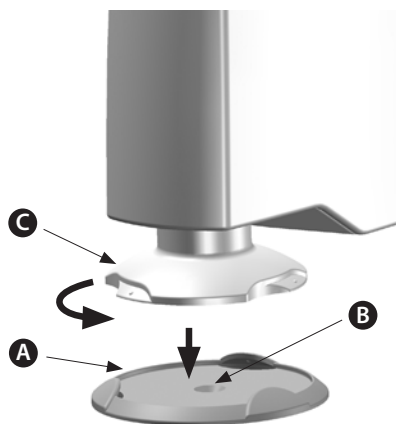


13

A Foot cup
 Foot cup
 Coupelle pour les pieds
 Fußteller
 Círculo de pie
 Base di appoggio
 Voetkom

B Foot cup hole
 Foot cup hole
 Trou pour la coupelle pour les pieds
 Fußtellerloch
 Agujero del círculo de pie
 Foro base di appoggio
 Voetkompening

C Foot
 Foot
 Pied
 Fuß
 Pie
 Piedino
 Voet



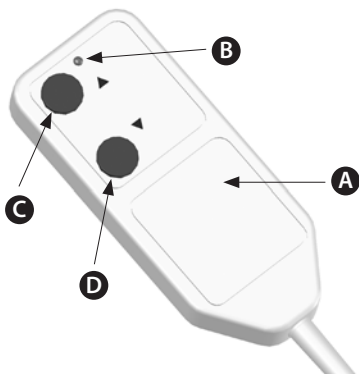
14

A Hand control
 Hand control
 Télécommande
 Handsteuerung
 Control manual
 Comando manuale
 Handbediening

B Power light
 Power light
 Voyant d'alimentation
 Betriebsleuchte
 Luz de funcionamiento
 Spia alimentazione
 Aan-/uitlampje

C Up
 Up
 Haut
 Aufwärts
 Arriba
 Su
 Omhoog

D Down
 Down
 Bas
 Abwärts
 Abajo
 Giù
 Omlaag



REF

ML1040
04: 01/14

© **Mountway Limited 2014**

Tafarnaubach Ind. Est. Tredegar NP22 3AA UK
tel +44 (0)1495 723300 **fax** +44 (0)1495 723360

freephone 0800 014 1852

e-mail mail@mountway.co.uk

www.mountway.com

